

More than two generations of skilled professionals globally, that specialize in the pump manufacturing industry. Our pumps are the world's leading choice for waste handling applications in industries such as:

Steel Mills   Paper Mills   Mining   Food and Bev   Energy   Manufacturing



### ADVANCED TECHNOLOGY AND COMPATIBILITY

Our pumps are manufactured using the most advanced technology and are totally interchangeable with several other popular brands of solids-handling self-priming pumps.

#### ONE PRODUCT - ALL SOLUTIONS

The All Prime Pump I-Series is a product manufactured using the most advanced technology. The design permits easy and fast access to inside parts, to clean up and for easy handling. This pump is totally interchangeable with several other similar pumps. This pump design is the result of more than two generations of skilled professionals globally specializing in the pump industry. The result of this union of generations is a product that can be used in a wide variety of pumping applications.

#### EASY TO MAINTAIN

These pumps are designed with ease of maintenance in mind. Because they are self-priming, they can be mounted above the liquid being pumped. Should maintenance be required, it can be easily performed using common hand tools without disconnecting piping.

The impeller, mechanical seal, wear-plate and check valve flapper can all be accessed through the clean-out cover opening.

#### ADVANTAGES OF SELF-PRIME PUMPS

##### Logistics:

- No confined space entry required
- Pump located outside the wet well for easier & cleaner access
- No heavy lifting equipment required for repairs
- Powered by standard NEMA motors

##### Maintenance:

- Removable suction cover allows quick unclogging of pump
- Primary wear parts: seal, impeller & wear plate can be changed through removable suction cover
- Rotating assembly easily removed for shop repairs without disturbing piping

##### Design:

- Rugged open impellers for solids handling to 1 1/8"
- Both speed & impeller trim can be employed to meet service conditions
- Impeller design keeps seal pressure low & reduces solids buildup in stuffing box
- Suction flapper check valve speeds self-priming and eliminates foot valves

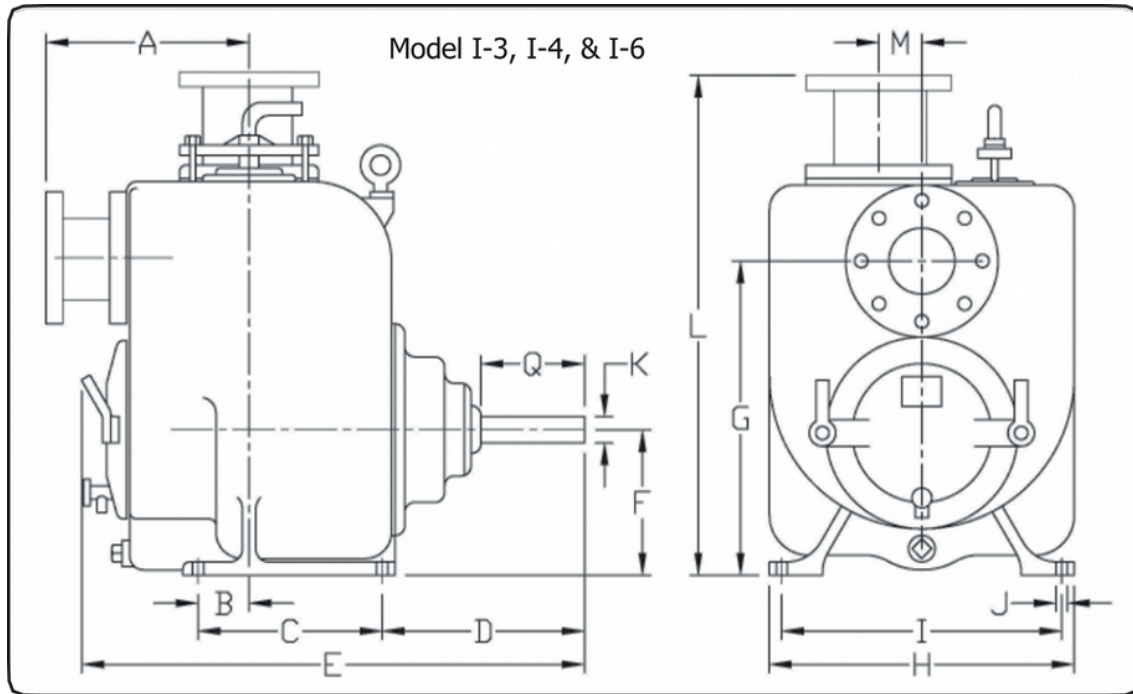
# I | I-S Series PUMP SOLUTIONS



**RUGGED SELF-PRIMING, SOLIDS-HANDLING TRASH PUMPS**

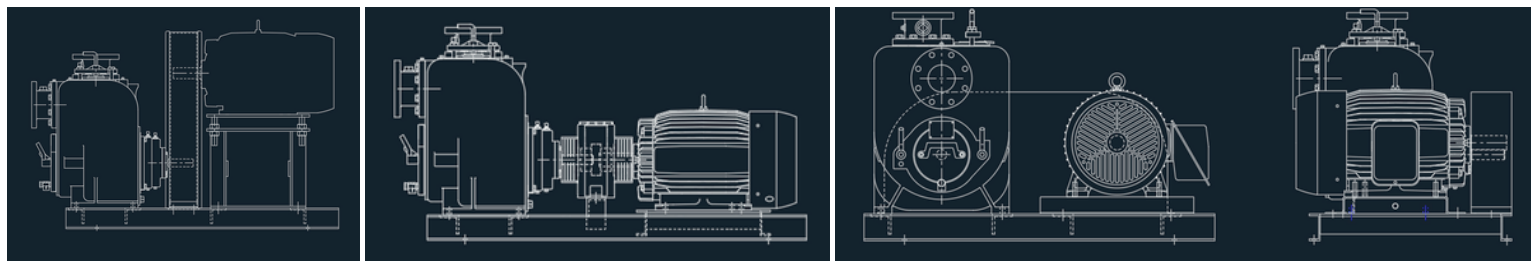
# SPECIALIZED SOLUTIONS FOR YOUR UNIQUE PUMPING NEEDS

## » SPECIFICATIONS



MODELS	I-3	I-4	I-6
A	11.50	12.50	16.00
B	3.00	3.81	3.06
C	9.00	11.00	11.00
D	11.14	11.71	13.02
E	26.25	29.59	33.25
F	7.50	8.75	10.13
G	17.00	20.00	22.38
H	17.00	20.00	23.00
I	15.00	18.00	20.75
J	0.69	0.69	0.69
K	1.50	1.50	1.75
L	27.04	29.68	35.32
M	2.75	2.75	2.75
Q	4.06	4.96	4.50

» **Base mounted horizontal or vertical v-belt driven & direct coupled package units available.**



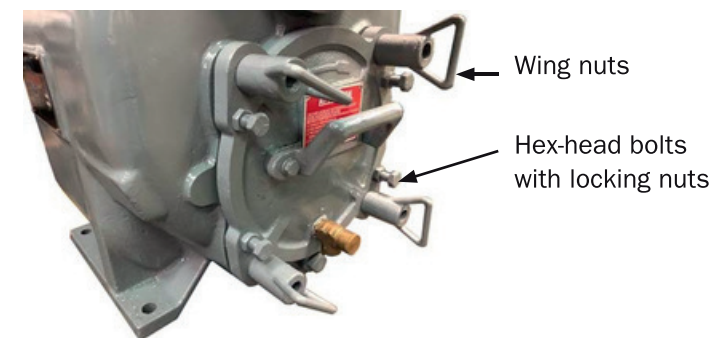
### Solids Handling Impeller

Multi vane, semi-open solids handling impeller handles up to 1-1/8" solid diameter solids, depending on pump model. Pump out vanes on impeller shroud reduce foreign material buildup behind impeller and reduce pressure on seal and bearings.



### Removable Rotating Assembly

The entire rotating assembly can be removed without disturbing pump volute or piping. Pusher bolts provide assistance with removal. A spare rotating assembly can be easily installed, resulting in less downtime.



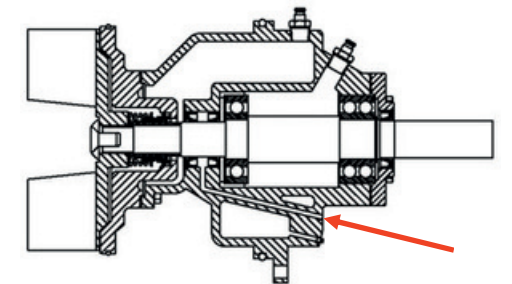
### External Shimless Adjustment - I-S Series

Back Cover Assembly (Clean-Out Cover) features a four-point, external, shimless impeller to wear-plate clearance adjustment. (Models: I-3S, I-4S, I-6S )



### Cartridge Seal

Double-floating, self-aligning oil lubricated mechanical cartridge seal with stationary and rotating face of tungsten titanium carbide is designed for abrasive and/or trash handling applications.



### Bearing Protection

Atmospheric barrier along with two lip seals provide additional protection of bearings. And allows external seal monitoring.



### External Shimless Adjustment - I Series

Increases the life of the impeller and wear-plate. The external shimless rotating assembly allows for adjustment of the clearance between the impeller and the wear-plate. The working height of the seal assembly and impeller back clearance are not disturbed. (Models: I-3, I-4, I-6)



**ROBUST STANDARD FEATURES MAXIMIZE PUMP EFFICIENCY AND ENSURE RELIABILITY**